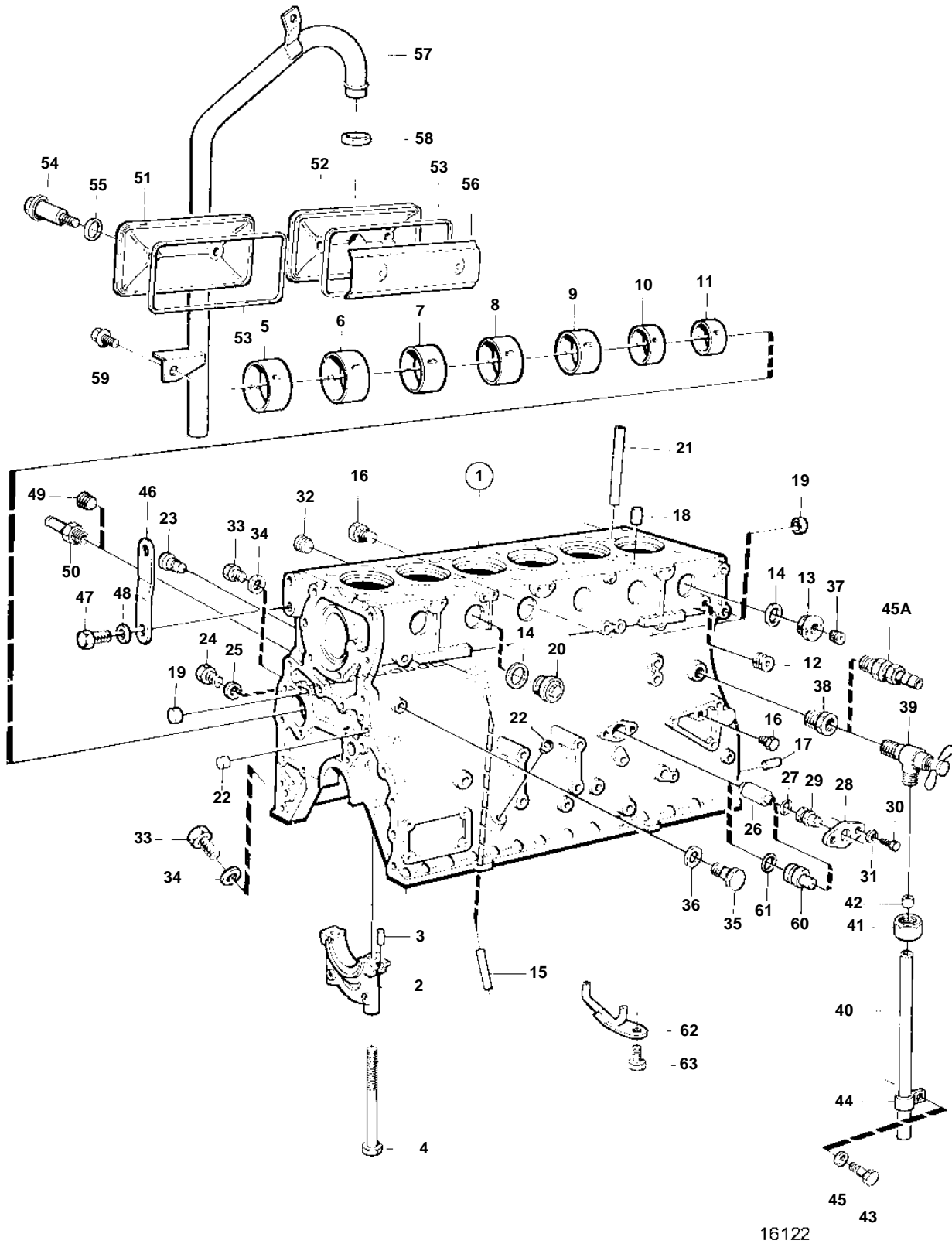


TWD1030ME



TWD1030ME

REF	PART NO.	QTY	DESCRIPTION	SEE SEC.	NOTES
1	479650	1	Cylinder block		Spare part design.
2		7	• Bearing cap		
3	422426	1	• Pin		
4	422067	14	• Screw		
5	422076	1	• Bushing, camshaft		
6	422077	1	• Bushing, camshaft		
7	422078	1	• Bushing, camshaft		
8	422079	1	• Bushing, camshaft		
9	422080	1	• Bushing, camshaft		
10	422081	1	• Bushing, camshaft		
11	422082	1	• Bushing, camshaft		
12	952075	12	• Plug, 1/4-NPTF		
13	821335	1	• Plug		
14	469328	7	• Gasket		
15	468563	1	• Pipe		
16	479979	7	• Plug, 1/8-NPTF		(191026)
17	191171	2	• Pin		
18	950543	12	• Pin		
19	955083	2	• Cap plug		
20	467367	5	• Plug		
21		1	• Pipe		
22	955082	4	• Cap plug		
23	422369	2	• Plug		
24		1	• Plug, 9/16-UNF		
25	969011	1	• Gasket		
26	424801	1	• Pipe		Piston cooling valve + o-ring should be used on TWD1030ME. See lubricating system.
27	949657	1	• O-ring		
28	424714	1	• Flange		
29	424715	1	• Plug		
30	955513	2	• Screw		
31	941906	2	• Spring washer		
32	952075	1	Plug, 1/4-NPTF		
33	948187	2	Plug, 3/4-UNF		
34	18818	2	Gasket		
35	180761	1	Plug, 5/8-UNF		
36	11996	1	Gasket		
37	479977	1	Plug		(952077)
38	479954	1	Nipple		(190130)
45A	949918	1	Drain cock		LATE TYPE
46		1	Lifting eye		
47	955561	2	Screw		
48	940280	2	Spring washer		
49	479977	1	Plug, 1/2-NPTF		(952077)
50	961654	1	Nipple, air compr.		
51	423120	2	Inspection cover		
52	423121	1	Inspection cover, crankcase vent.		
53	469823	3	Gasket		

TWD1030ME

REF	PART NO.	QTY	DESCRIPTION	SEE SEC.	NOTES
54	422541	6	Screw		
55	471856	6	Sealing ring		
56	422542	1	Splash plate		
57	422757	1	Pipe, crankcase vent.	SO	STD
	3825487	1	Breather pipe, oil sump for inclination		For heavy inclination.
		X	Crankcase ventilatioclosed	2189	
58	421158	1	Sealing ring		
59	942402	2	Flange screw		
60		1	Valvepiston cooling	104	
61		1	O-ring	104	
62		6	Jetpiston cooling	104	Piston cooling jet + screw. see lubricating system.
63		6	Screw	104	Piston cooling jet + screw. see lubricating system.